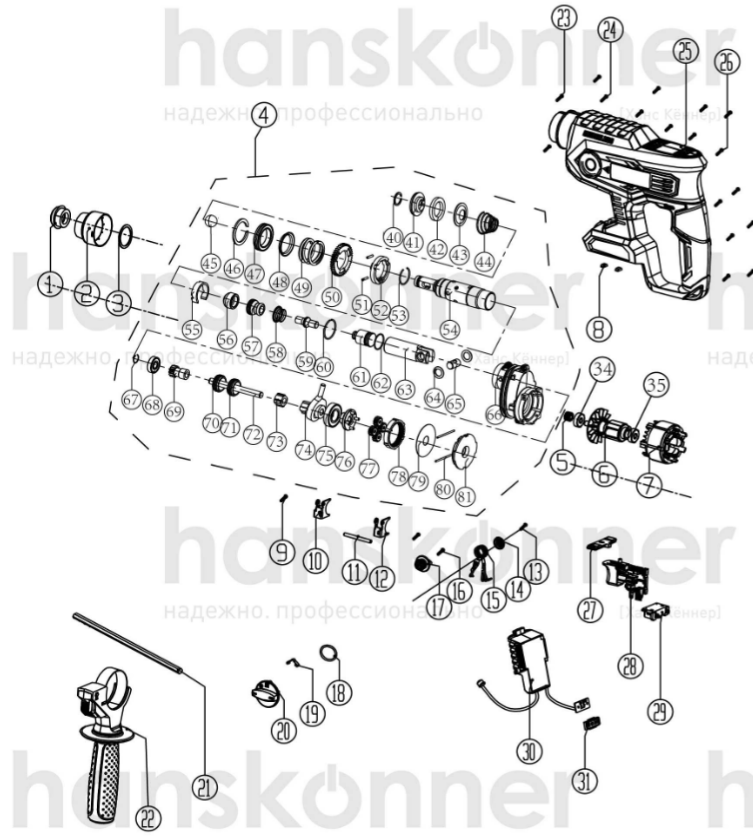


HRH1824BL



NO	DESCRIPTION	NO	DESCRIPTION
1	Rubber lock head	45	Ball
2	locking sleeve	46	C-ring
3	Gasket	47	Deep groove ball
4	Cylinder Assembly	48	Circlip
5	Rotor gear	49	Spring
6	Rotor	50	Big gear
7	Stator	51	Pin
8	Shock absorber pad	52	Cylinder ring
9	Screw ST3X14	53	Clapper
10	Pulling shrapnel 1	54	Cylinder
11	Pin	55	Impact lock
12	Pulling shrapnel 2	56	Rubber rings
13	Screw ST3X14	57	Impact refers
14	Lock button cover	58	Impact finger ring
15	Pulling spring	59	Impact axis
16	Screw ST3X14	60	Clapper
17	Position knob support	61	Hammer
18	O-ring	62	O-ring
19	Tuning fork shrapnel	63	Piston
20	File position knob	64	Pad
21	Depth ruler	65	Paddle pin
22	Auxiliary handle	66	Gearbox case
23	Screw ST3.5X12	67	C-ring
24	Screw ST3.5X16	68	Pillow
25	Shell	69	Gear
26	Screw ST3.5X25	70	Spline slider 1
27	Push rod	71	Spline slider 2
28	Switch	72	Gear shaft
29	Large body contact piece support	73	Stationing keys
30	Brushless control panel	74	Rod bearing
31	Electricity display lampshade	75	Deep groove ball bearings
34	Bearing 608RS	76	Center frame
35	Bearing 626Z	77	Planetary teeth
40	Circlip	78	Inner ring
41	Pressure plate	79	Gasket
42	Washer	80	Pin
43	Lock	81	End cover
44	Conical spring		

надежно. профессионально

[Ханс Кеннер]

надежно. профессионально

[Ханс Кеннер]

RU-HS20190530